

FEATURES

- Most popular power relay
- Up to 30A switching capacity
- DC and AC coil available

TYPICAL APPLICATIONS

- Industrial controls
- Commercial applications
- Home appliances

CONTACT RATING

Form	Voltage	1 Form A (H)	1 Form B (D)	1 Form C (Z)	
				NO	NC
Resistive	240VAC 28VDC	30A 30A	15A 10A	20A 20A	10A 10A
Max. Switching Current		30A	15A	20A	10A
Max. Switching Voltage	277VAC/30VDC				
Max. Continuous Current		30A	15A	20A	10A
Max. Switching Power		8.31KVA, 900W	4.155KVA, 450W	5.54KVA, 600W	2.77KVA, 300W
Min. Load	1A, 5VDC/12VAC				

UL/CSA RATING

Load Type	Voltage	1 Form A (H)	1 Form B (D)	1 Form C (Z)	
				NO	NC
General Purpose	240VAC	30A	15A	20A	10A
Resistive	240VAC 28VDC	30A 20A	15A 10A	20A 20A	10A 10A
Motor	240VAC 120VAC	2HP 1HP	0.5HP 0.25HP	2HP 1HP	0.5HP 0.25HP
LRA/FLA	240VAC 120VAC	80A/30A 98A/22A	30A/10A	50A/20A	20A/7A
Tungsten	120VAC	TV5	TV3	TV5	TV3
Ballast	277VAC	10A	3A	10A	3A

CONTACT DATA

Material	AgCdO, AgSnInO	
Initial Contact Resistance	50 mΩ, max. at 0.1A, 6VDC	
Service Life	Mechanical	10 ⁷ ops.
	Electrical	10 ⁵ ops.

COIL DATA

Type	Coil Voltage Code	Nominal Voltage (VDC/VAC)	Resistance (Ω) ±10%	Must Operate Voltage max. (VDC/VAC)	Must Release Voltage min. (VDC/VAC)
DC	005	5	27	3.75	0.5
	006	6	40	4.50	0.6
	009	9	97	6.75	0.9
	012	12	155	9.00	1.2
	024	24	660	18.00	2.4
	048	48	2560	36.00	4.8
AC	110	110	10330	82.50	11.0
	012A	12	26	10.20	1.8
	024A	24	106	20.40	3.6
	110A	110	2750	93.50	16.0
	220A	220	11000	187.00	33.0

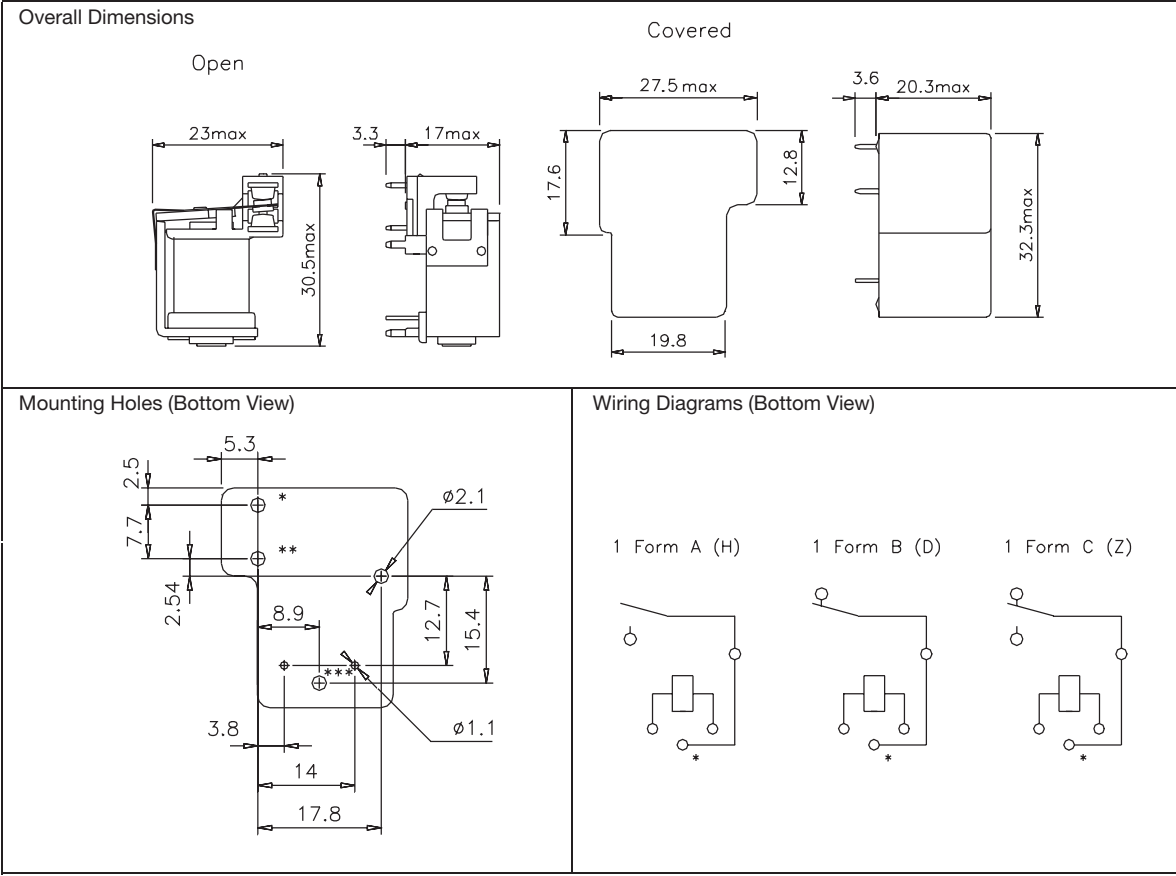
CHARACTERISTICS

Operate Time	15 ms for DC coil; 20 ms for AC coil, max.
Release Time	10 ms for DC coil; 15 ms for AC coil, max.
Insulation Resistance	1000 MΩ, at 500 VDC, 50%RH
Dielectric Strength	1500 Vrms, 1 min. between open contacts 1500 Vrms, 1 min. between coil and contacts
Shock Resistance	10 g, 11ms, functional; 100 g destructive
Vibration Resistance	DA 1.5mm, 10 - 55 Hz
Power Consumption	DC Coil: 0.9W; AC Coil: 2VA, approx.
Ambient Temperature	-55 to 85°C operating; -55 to 130°C storage
Weight	Open: 20g; Covered: 26g, approx.

ORDERING DESIGNATION

Example:	HG4115 /	012-	Z	1	C	F	6
Model							
Coil Voltage Code							
DC/AC							
Nil: DC Coil							
A: AC Coil							
Contact Form							
H: 1 Form A; D: 1 Form B; Z: 1 Form C							
Version							
Nil: Open; 1: Sealed; 2: Dust Cover							
Contact Material							
C: AgCdO; S: AgSnInO							
Thermal Class							
Nil: UL Class B; F: UL Class F							
Creepage Distance							
Nil: UL 508 Spacing							
6: UL 873 Spacing							

OVERALL DIMENSIONS, MOUNTING HOLES AND WIRING DIAGRAMS (mm)



NOTES

1. All parameters, unless otherwise specified, are measured at ambient temperature 23°C.
2. In mounting holes drawing, the * holes is not needed for 1 Form A, the ** hole is not needed for 1 Form B. The *** hole is not needed for UL873 spacing version
3. In wiring diagrams drawing the * terminal is not present for UL873 spacing version.
4. To exert optimum electrical life, please remove the tape of sealed version after cleaning process.
5. Custom-made services available with operational quantity. Please let us know your special requirements.
6. Specifications subject to change without prior notice.